

## The pipe collar with seal for sound insulation for medium/heavy loads with metric connection

2



Heavy pipe on frame



Heavy pipe for sewerage suspended  
corner shelf

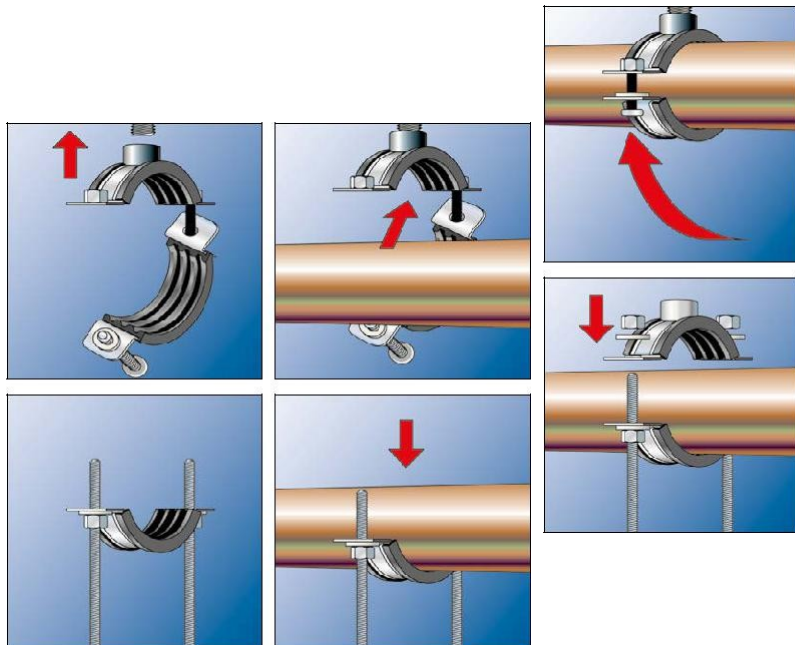
50

### APPLICATIONS

- Fastening of medium-heavy pipes with threaded bars or screw-bolts.

### ADVANTAGES/BENEFITS

- The high tested loads ensure safe operation of the FRSM collar.
- The M10/M12, M12/M16 or M16 combination thread connection nut enables optimized mounting choices.
- You can install the collar with 2 threaded rods, e.g. for fixing ceiling cast iron drainage pipes.
- The two screws allow easy adjustment according to the outer diameter of the pipe.
- The safety feature of the screws ensures trouble-free installation.



Material: EPDM; chlorine-free; silicone-free

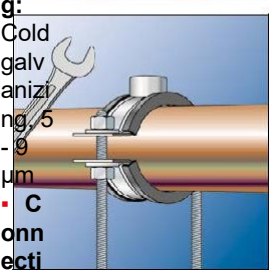
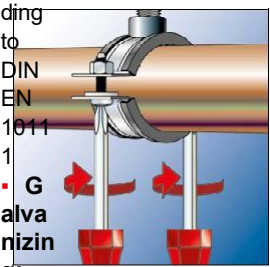
Temperature range: -50

Hardness:

45 ± 5° Shore A

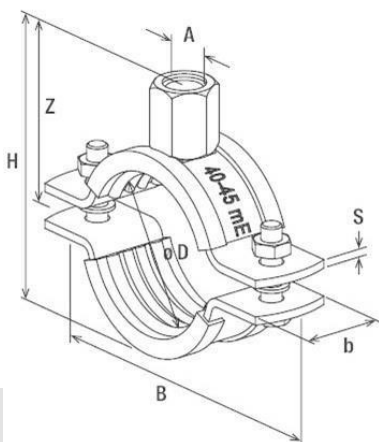
Fire behaviour: DIN 4102: Class B2

Material: Steel  
DIN 10111  
1.03 (32)  
according to



Material: M10/M12  
=SW17/M12/M16=SW22/M16=SW24  
Locking screw: hex head screw with nut  
Sound insulation mat

## TECHNICAL DATA



Product	Art. No	Thread To	Dimension nominal [inches]	Range of tightening D [mm]	Width B [mm]	Height H [mm]	Width x thickness b x s [mm]	Height Z [mm]	Lives of locking	Laden static racc. max (traction centered) <sup>N</sup> racc [kN]	Packaging [pz]
FRSM 1/2" M10/M12	554243 ▼	M10/M12	1/2"	19 - 23	76	57	25 x 2.5	39	M 6	2.50	50
FRSM 3/4" M10/M12	554244 ▼	M10/M12	3/4"	24 - 29	80	63	25 x 2.5	42	M 6	2.50	50
FRSM 1" M10/M12	554245 ▼	M10/M12	1"	33 - 36	89	70	25 x 2.5	45	M 6	2.50	50
FRSM 1 1/4" M10/M12	554246 ▼	M10/M12	1 1/4"	40 - 45	98	79	25 x 2.5	50	M 6	2.50	20
FRSM 1 1/2" M10/M12	554247 ▼	M10/M12	1 1/2"	47 - 52	105	86	25 x 2.5	53	M 6	2.50	20
FRSM 53 - 58 M10/M12	554248 ▼	M10/M12	-	53 - 58	111	91	25 x 2.5	55	M 6	2.50	20
FRSM 2" M10/M12	554249 ▼	M10/M12	2"	60 - 65	118	99	25 x 2.5	60	M 6	2.50	20
FRSM 2 1/2" M10/M12	554250 ▼	M10/M12	2 1/2"	73 - 78	136	113	30 x 3.0	67	M 8	3.00	20
FRSM 79 - 85 M10/M12	554251 ▼	M10/M12	-	79 - 85	144	120	30 x 3.0	70	M 8	3.00	20
FRSM 3" M10/M12	554252 ▼	M10/M12	3"	88 - 93	152	129	30 x 3.0	75	M 8	3.00	20
FRSM 102 M10/M12	554253 ▼	M10/M12	-	100 - 106	166	142	30 x 3.0	81	M 8	3.00	20
FRSM 4" M10/M12	554254 ▼	M10/M12	4"	108 - 116	175	152	30 x 3.0	86	M 8	3.00	20
FRSM 124 - 129 M10/M12	093709 ▼	M10/M12	-	124 - 129	194	165	30 x 3.0	92	M 8	3.00	20
FRSM 133 M10/M12	093710 ▼	M10/M12	-	131 - 137	202	173	30 x 3.0	97	M 8	3.00	20
FRSM 5" M10/M12	093711 ▼	M10/M12	5"	138 - 145	210	180	30 x 3.0	100	M 8	3.00	20
FRSM 160 M10/M12	093712 ▼	M10/M12	-	156 - 162	227	198	30 x 3.0	109	M 8	3.00	20
FRSM 6" M10/M12	093713 ▼	M10/M12	6"	165 - 171	255	207	30 x 3.0	114	M 8	3.00	20
FRSM 7" M10/M12	093714 ▼	M10/M12	7"	188 - 194	278	230	30 x 3.0	125	M 8	3.00	10
FRSM 200 M10/M12	093715 ▼	M10/M12	-	196 - 203	287	239	30 x 3.0	130	M 8	3.00	10
FRSM 212 M12/M16	505453 ▼	M12/M16	-	205 - 214	289	264	40 x 4.0	147	M 12	5.00	10
FRSM 8" M12/M16	505454 ▼	M12/M16	8"	219 - 225	300	272	40 x 4.0	152	M 12	5.00	10
FRSM 250 M12/M16	505455 ▼	M12/M16	-	244 - 250	325	300	40 x 4.0	165	M 12	5.00	10
FRSM 10" M12/M16	505456 ▼	M12/M16	10"	267 - 273	348	323	40 x 4.0	177	M 12	5.00	10
FRSM 300 M12/M16	505457 ▼	M12/M16	-	297 - 304	379	354	40 x 4.0	192	M 12	5.00	10
FRSM 12" M12/M16	505458 ▼	M12/M16	12"	320 - 328	403	378	40 x 4.0	204	M 12	5.00	10
FRSM 348 - 356 M16	504594 ▼	M 16	-	348 - 356	480	403	50 x 5.0	213	M 16	8.00	1
FRSM 364 - 372 M16	504595 ▼	M 16	-	364 - 372	496	419	50 x 5.0	221	M 16	8.00	1
FRSM 400 - 409 M16	504596 ▼	M 16	-	400 - 409	533	456	50 x 5.0	240	M 16	8.00	1
FRSM 454 - 462 M16	504597 ▼	M 16	-	454 - 462	586	509	50 x 5.0	266	M 16	8.00	1
FRSM 500 - 508 M16	504598 ▼	M 16	-	500 - 508	632	555	50 x 5.0	290	M 16	8.00	1

▼ Product available on request. Delivery times to be agreed with fischer staff.